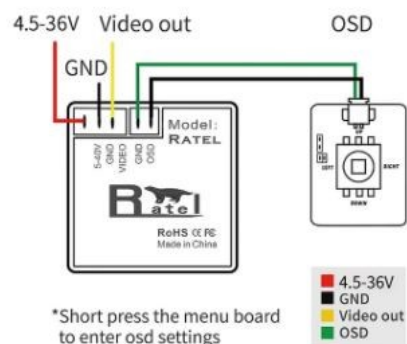


V1.0

### Connection



\*Short press the menu board to enter osd settings



### Camera menu

MAIN MENU	AE
AE	BRIGHTNESS <12>
WB	EXPOSURE MODE
DAY&NIGHT	GLOBE
IMAGE ENHANCE	ADVANCED
VIDEO SETTING	RETURN
LANGUAGE	
<ENGLISH>	
RESET	
SAVE EXIT	
EXIT	

BRIGHTNESS (0-30)  
EXPOSURE  
MODE (GLOBE/BLC)  
BLC (1-8)

WE	DAY NIGHT
MODE	MODE
<ATW>	<EXT>
RETURN	RETURN

MODE (ATW/MWB)  
RGAIN (0-32)  
BGAIN (0-32)

MODE (BW/AUTO  
/COLOR/EXT)

### IMAGE ENHANCE

CONTRAST <AUTO>  
SHARPNESS <AUTO>  
COLOR GAIN <AUTO>  
3DNR <AUTO>  
RETURN

### VIDEO SETTING

VIDEO STANDARD <PAL>  
HD FORMAT CVBS  
IMAGE RATIO <4:3>  
D-WDR <OPEN>  
RETURN

CONTRAST (MANUAL/ AUTO) VIDEO STANDARD (PAL/NTSC)  
SHARPNESS (MANUAL/AUTO) IMAGE RATIO (4:3/16:9)  
COLOR GAIN (MANUAL/AUTO) WDR (OPEN/CLOSE )  
3DNR (MANUAL/AUTO)

### Specifications

Model	Ratel 2
Image Sensor	1/1.8" Inch sensor
Horizontal Resolution	1200TVL
TV System	NTSC & PAL (changeable)
IMAGE	16:9 & 4:3 (changeable)
WDR	Super WDR (HDR)
Min. Illumination	Starlight
FOV	165°/160°
Electronic Shutter	PAL: 1/50-100,000; NTSC: 1/60-100,000
Camera OSD	Separate OSD
Language	(ENGLISH/中文/繁體中文/русский /ESPAÑOL/ITALIANO/FRANCAIS/ POLSKIM/ PORTUGUES/日本語)
Day/Night	Auto/Color/B&W/EXT
Dimensions	19mm*19mm
Wide Power Input	DC 4.5-36V
Weight	5.9g/8.5g (N.W.)